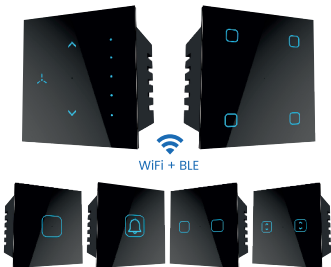




Smart Modular Touch Switch

User Manual



Installation Instructions:

1. Cut-off the power before Installation for Safety.
2. Use of Neutral wire is mandatory for Connection.
3. Set WiFi Router at 2.4 GHz Frequency, Connect this WiFi in Mobile.
4. Please check the wiring diagrams given in this User Manual and connect the wires accordingly.
5. Touch Switch: Fit the switch in the Switch plate. If it is not fitting, please double check if the correct item has been ordered according to the switch plate. Please contact our support team for further help.
6. Turn on the power supply and follow next section instructions for app configuration. (For WiFi enabled switches)

App Configuration:

1. Download Netstar App in your smart phone and complete the one-time registration.
2. Make sure Mobile Bluetooth and Location is Turned On & connected to your Wi-Fi network (2.4Ghz Frequency).
3. Check if switch Blue LED light is blinking (switch is in configuration mode)

4. For Touch Switch: If LED is not blinking, then please press any switch / fan touch button for 20 seconds continuously till the LED starts blinking.
5. Open the App, select “+” button on the top right corner to Add Device.
6. You can either use Auto Scan option to select the switch automatically OR to Add switch manually, Go to Electrical section, Scroll down to Switch and select Switch (BLE+Wi-Fi).
7. App will prompt for Wi-Fi ID and Password. Please enter the same.
8. Please wait till the App completes configuration – Blue LED should stop blinking within 20-180 seconds - means the Linkage is completed.
9. You can rename the added switch as per your wish.
10. Click “Done” to complete the configuration. You can now the operate the smart Switch using Netstar App.

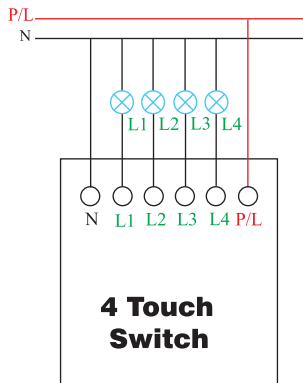
Alexa Set-up:

1. Download & Register Amazon Alexa app in your phone.
2. Select Skills & Games, search and link with “NETSTAR Home”.
3. After Successful linking, ask “Alexa discover my devices” and Alexa will show all discovered devices.
4. This complete the Alexa linkage. If any device was not discovered, please check internet connection and repeat the process as stated above.

Google Set-up:

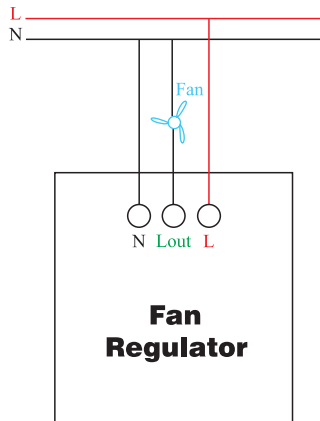
1. Download Google Home app in your mobile & Register.
2. Open the App, select “+” button on the top left corner to “set up device” and select “works with Google”.
3. Search and select “NETSTAR Home”, it will link your switches automatically.
4. This complete the Google Home linkage. If any device was not discovered, please check internet connection and repeat the process as stated above.

Wiring Diagram



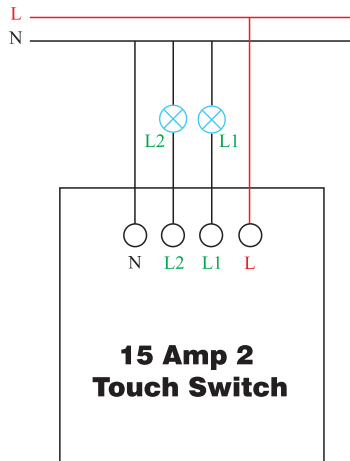
Similar Wiring For:
2 Channel curtain Switch

Wiring Diagram



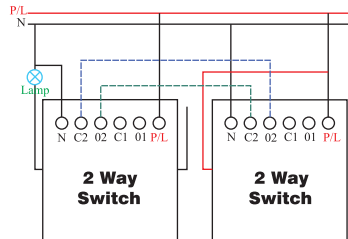
Similar Wiring For:
24Amp 1 Touch Switch
Doorbell Touch Switch
Light Dimmer Touch Switch

Wiring Diagram



Similar Wiring For:
1 Channel Curtain Switch

Wiring Diagram



For More Information:
Netstar (Infonet Technologies)
A-904, Ratnaakar 9 Square,
Opp. ITC Narmada, Satellite,
Ahmedabad, India - 380015.

For Installation: ☎ +91 96876 88964
Inquiries: ✉ sales@netstar.in
Website: 🌐 www.netstar.in

