



Smart Retrofit In-Wall Switch Modules

User Manual



Installation Instructions:

1. Cut-off the power before Installation for Safety.
2. Use of Neutral wire is mandatory for Connection.
3. Set WiFi Router at 2.4 GHz Frequency, Connect this WiFi in Mobile.
4. Please check the wiring diagrams given in this User Manual and connect the wires accordingly.
5. Fit the Retrofit Module inside the Switch Board behind the switches. If it is not fitting, please double check if the correct sized item has been ordered according to the Box. Please contact our support team for further help.
6. Turn on the power supply and follow next section instructions for App configuration. (For WiFi enabled modules)

App Configuration:

1. Download Netstar App in your smartphone and complete the one-time registration.
2. Make sure Mobile Bluetooth and Location is Turned On & connected to your Wi-Fi network (2.4Ghz Frequency).
3. Check If Retrofit Module LED Light is

Blinking (Module is In Configuration Mode).

4. In-wall Retrofit Module If LED is not blinking, then please turn on & turn off any 1 switch continuously for 7-8 times till the LED Starts Blinking.
5. Open the App, select "+" button on the top right corner to Add Device.
6. You can either use Auto Scan option to select the switch automatically OR to Add switch manually, Go to Electrical section, Scroll down to Switch and select Switch (BLE+Wi-Fi).
7. App will prompt for Wi-Fi ID and Password. Please enter the same.
8. Please wait till the App completes configuration - LED should stop blinking within 20-180 seconds means the Linkage is completed.
9. You can rename the added switch as per your wish.
10. Click "Done" to complete the configuration. You can now the operate the smart Switch using Netstar App.

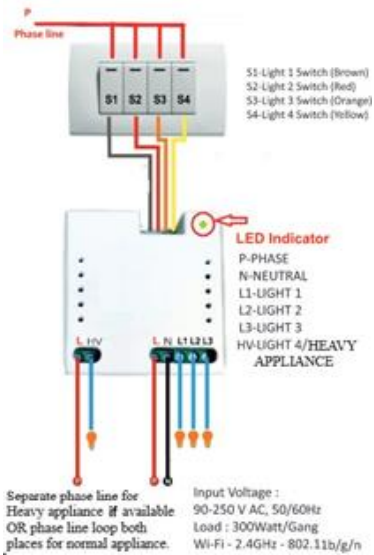
Alexa Set-up:

1. Download & Register Amazon Alexa app in your phone.
2. Select Skills & Games, search and link with "NETSTAR Home".
3. After Successful linking, ask "Alexa discover my devices" and Alexa will show all discovered devices.
4. This complete the Alexa linkage. If any device was not discovered, please check internet connection and repeat the process as stated above.

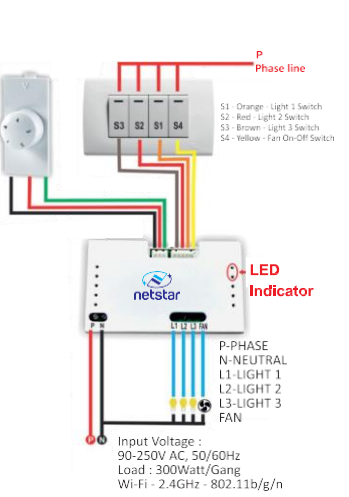
Google Set-up:

1. Download Google Home app in your mobile & Register.
2. Open the App, select "+" button on the top left corner to "set up device" and select "works with Google".
3. Search and select "NETSTAR Home", it will link your switches automatically.
4. This complete the Google Home linkage. If any device was not discovered, please check internet connection and repeat the process as stated above.

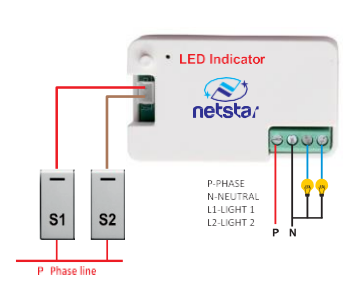
● **Wiring Diagram 4 Node (4 Lights) In-Wall Smart Module**



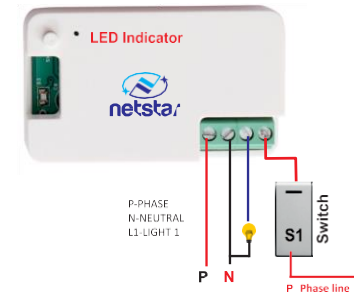
● **Wiring Diagram 3 + 1 (3Lights+ 1 Fan)In-Wall Smart Module**



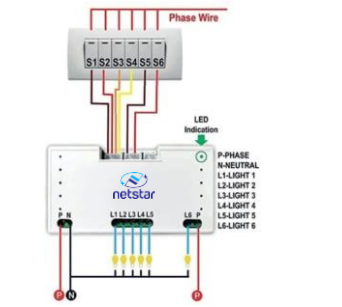
● **2 Node In-Wall Smart Module**



● **1 Node In-Wall Smart Module**



● **6 Node In-Wall Smart Module**



For More Information:
Netstar (Infonet Technologies)
A-904, Ratnaakar 9 Square,
Opp. ITC Narmada, Satellite,
Ahmedabad, India - 380015.

For Installation: ☎ +91 96876 88964
Inquiries: ✉ sales@netstar.in
Website: 🌐 www.netstar.in

